

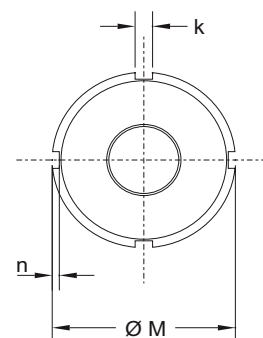
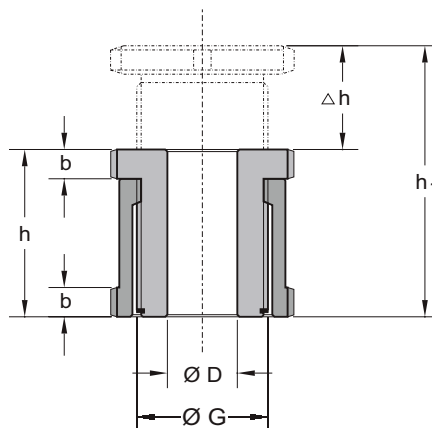
RODOSET

VARIABLE DISTANCE and LEVELLING UNITS

RDU... acciaio 42 CrMo4, zincato
 RDU...A1 acciaio inossidabile Aisi 303
 RDU...A4 acciaio inossidabile Aisi 316

steel 42 CrMo4, zinc-plated
 stainless steel Aisi 303
 stainless steel Aisi 316

acier 42 CrMo4, zingué
 acier inoxydable Aisi 303
 acier inoxydable Aisi 316



tipo/type	foro hole/trou Ø D	per viti for screw pour vis	filett. thread.			base				CARICO - LOAD - CHARGE			
			h	h1	Δh	Ø G	Ø M	b	k	n	totale ammesso/ permitted	serraggio/ tightening vite 8.8	carico /load residuo
	mm		mm	mm	mm	mm	mm	mm	mm	mm	kN	kN	kN
RDU 15-6,6	6,6	M6	28	43	15	M15x1	25	5	4	2	40	9,3	30,7
RDU 20-6,6	6,6	M6	35	55	20	M20x1	32	6	4	2	65	9,3	55,7
RDU 20-9	9	M8										17,0	48,0
RDU 20-11	11	M10										27,1	37,9
RDU 30-11	11	M10	42	67	25	M30x1,5	45	7	5	2	120	27,1	92,9
RDU 30-13,5	13,5	M12										39,6	80,4
RDU 30-17,5	17,5	M16										74,5	45,5
RDU 40-17,5	17,5	M16	54	86	32	M40x1,5	58	8	6	3	210	74,0	136,0
RDU 40-22	22	M20										120,0	90,0
RDU 40-26	26	M24										173,0	37,0
RDU 50-22	22	M20	66	106	40	M50x1,5	70	11	6	3	330	120,0	210,0
RDU 50-26	26	M24										173,0	157,0
RDU 50-33	33	M30										277,0	53,0
RDU 60-26	26	M24	76	126	50	M60x2	80	11	7	3	495	173,0	322,0
RDU 60-33	33	M30										277,0	218,0
RDU 60-39	39	M36										394,0	101,0
RDU 80-39	39	M36	95	155	55	M80x2	105	15	8	4	920	394,0	526,0

Carico aggiuntivo: carico applicabile oltre al carico determinato dal serraggio di una vite 8.8
Additional load: applicable load besides the load determined by the tightening of a 8.8 screw
Charge supplémentaire : charge applicable en plus du poids déterminé par le serrage d'un vis 8.8

valido solo per tipi RDU.. in acciaio 42 CrMo4
 only valid for type RDU.. in steel 42 CrMo4
 valide pour les types RDU.. en acier 42 CrMo4

Esempio sigle: **RDU 20-9**
 Part number initials: **RDU 30-13,5 - A1**
 Exemple dénomination : **RDU 60-39 - A4**

tipo con regolazione M20x1, per viti da M8, acciaio 42 CrMo4, zincato
 type with adjustment M30x1,5, for screw M12, Aisi 303 stainless steel
 type avec ajustement M60x2, pour vis M36, acier inoxydable Aisi 306