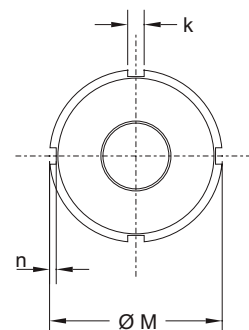
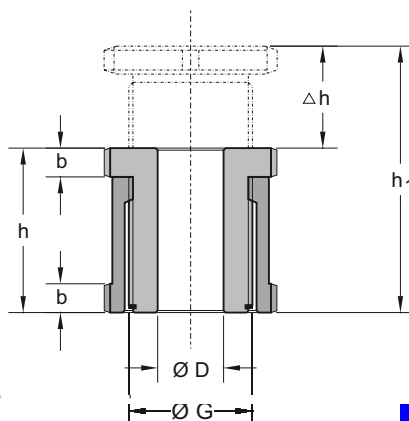


RDUK... acciaio 42 CrMo4, zincato
 RDUK...A1 acciaio inossidabile Aisi 303
 RDUK...A4 acciaio inossidabile Aisi 316

steel 42 CrMo4, zinc-plated
 stainless steel Aisi 303
 stainless steel Aisi 316

acier 42 CrMo4, zingué
 acier inoxydable Aisi 303
 acier inoxydable Aisi 316



| tipo/type | foro hole/trou Ø D mm | per viti for screw pour vis | CARICO - LOAD - CHARGE | | | filett. thread. Ø G | base Ø M | b | k | n | totale ammesso/ permitted kN | serraggio/ tightening vite 8.8 kN | carico /load residuo kN |
|--------------|--------------------------------|-----------------------------------|------------------------|-----|----|---------------------------|-------------|----|---|---|---------------------------------------|--|----------------------------------|
| | | | h | h1 | Δh | | | | | | | | |
| RDUK 15-6,6 | 6,6 | M6 | 33 | 43 | 10 | M15x1 | 25 | 5 | 4 | 2 | 40 | 9,3 | 30,7 |
| RDUK 20-6,6 | 6,6 | M6 | 41 | 55 | 14 | M20x1 | 32 | 6 | 4 | 2 | 65 | 9,3 | 55,7 |
| RDUK 20-9 | 9 | M8 | | | | | | | | | | 17,0 | 48,0 |
| RDUK 20-11 | 11 | M10 | | | | | | | | | | 27,1 | 37,9 |
| RDUK 30-11 | 11 | M10 | 49 | 67 | 18 | M30x1,5 | 45 | 7 | 5 | 2 | 120 | 27,1 | 92,9 |
| RDUK 30-13,5 | 13,5 | M12 | | | | | | | | | | 39,6 | 80,4 |
| RDUK 30-17,5 | 17,5 | M16 | | | | | | | | | | 74,5 | 45,5 |
| RDUK 40-17,5 | 17,5 | M16 | 63 | 86 | 23 | M40x1,5 | 58 | 8 | 6 | 3 | 210 | 74,0 | 136,0 |
| RDUK 40-22 | 22 | M20 | | | | | | | | | | 120,0 | 90,0 |
| RDUK 40-26 | 26 | M24 | | | | | | | | | | 173,0 | 37,0 |
| RDUK 50-22 | 22 | M20 | 77 | 106 | 29 | M50x1,5 | 70 | 11 | 6 | 3 | 330 | 120,0 | 210,0 |
| RDUK 50-26 | 26 | M24 | | | | | | | | | | 173,0 | 157,0 |
| RDUK 50-33 | 33 | M30 | | | | | | | | | | 277,0 | 53,0 |
| RDUK 60-26 | 26 | M24 | 87 | 126 | 39 | M60x2 | 80 | 11 | 7 | 3 | 495 | 173,0 | 322,0 |
| RDUK 60-33 | 33 | M30 | | | | | | | | | | 277,0 | 218,0 |
| RDUK 60-39 | 39 | M36 | | | | | | | | | | 394,0 | 101,0 |
| RDUK 80-39 | 39 | M36 | 110 | 155 | 45 | M80x2 | 105 | 15 | 8 | 2 | 920 | 394,0 | 526,0 |
| RDUK 80-52 | 52 | M48 | | | | | | | | | | 713,0 | 207,0 |

Carico addizionale: carico applicabile oltre al carico determinato dal serraggio di una vite 8.8
Additional load: applicable load besides the load determined by the tightening of a 8.8 screw
Charge supplémentaire : charge applicable en plus du poids déterminé par le serrage d'un vis 8.

valido solo per tipi RDUK.. in acciaio 42 CrMo4
 only valid for type RDUK.. in steel 42 CrMo4
 valide pour les types RDUK.. en acier 42 CrMo4

Esempio sigle:

RDUK 20-9

tipo con regolazione M20x1, per viti da M8, acciaio 42 CrMo4, zincato

Part number initials:

RDUK 30-13,5 - A1

type with adjustment M30x1,5, for screw M12, Aisi 303 stainless steel

Exemple dénomination :

RDUK 60-39 - A4

type avec ajustement M60x2, pour vis M36, acier inoxydable Aisi 306